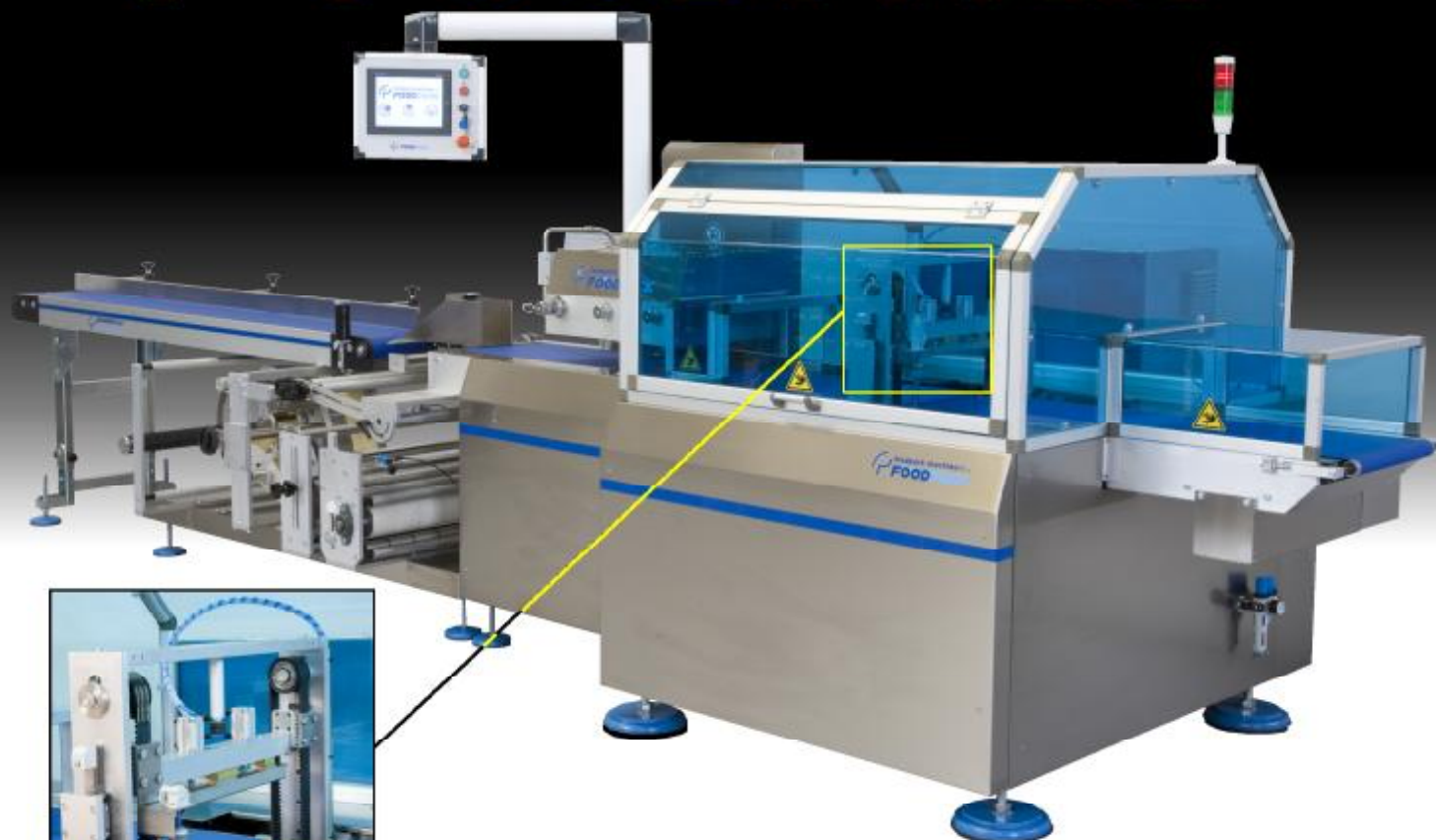




flowpack machinery by
FOODPACK S.R.L.



Versione integrale ad assi interpolati

Plani di scorrimento e carter in acciaio Inox AISI 304

9 motori indipendenti:

- Motore BRUSHLESS per nastro di alimentazione
 - Motore BRUSHLESS per gruppo di saldatura longitudinale
 - Motore BRUSHLESS per gruppo di saldatura trasversale
 - Motore BRUSHLESS per chiusura barre saldanti
 - 3 Motori asincroni con inverter + 2 motori in CC
- Realizzazione integrale secondo le norme "CE"



Komplett Servo gesteuert Antriebe

Abdeckungen und Schutzverkleidungen in Edelstahl

Nr 9 Unabh angig gesteuerte Motoren:

- Antrieb der Fingerzufuehrung  ber Servomotor
 - Antrieb der Laengsschweissung  ber Servomotor
 - Antrieb der Querschweissung  ber Servomotor
 - Siegelbackenverschluss  ber Servomotor
 - 3 frequenzgesteuerte Motoren und 2 Gleichstrom-Motoren
- CE-konform



Full version with axis motion controller

Fiat surfaces, coverings and bottom belt in STAINLESS STEEL

9 independent motors:

- BRUSHLESS motor for infeed conveyor
 - BRUSHLESS motor for longitudinal sealing unit
 - BRUSHLESS motor for box motion sealing unit
 - BRUSHLESS motor for sealing bars' closing
 - 3 asynchronous motors + inverters and 2 DC motors
- Machine's manufacture complies "CE" REGULATIONS

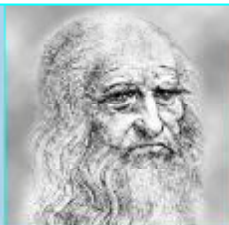


Version int grale avec axes interpol s

Plans d' coulement et carter en acier Inox AISI 304

9 moteurs ind pendants:

- Moteur BRUSHLESS pour tapis d'alimentation
 - Moteur BRUSHLESS pour groupe de soudure longitudinale
 - Moteur BRUSHLESS pour groupe de soudure transversale
 - Moteur BRUSHLESS pour fermeture barres de sudure
 - 3 Moteurs asynchrones command s par inverters et 2 moteurs en CC
- R alisation int grale sur la base des r gles "CE"



LEONARDO
700-900-1.000 PBB Full DIGIT



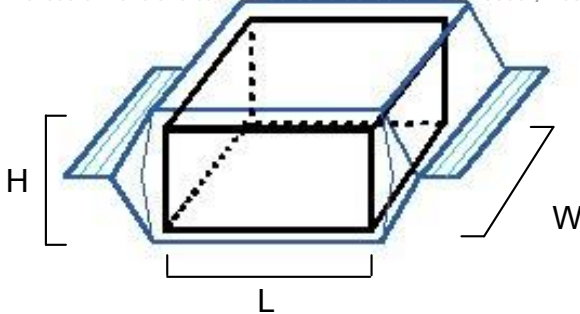
...the art of packaging

LEONARDO 700 – 900 – 1000 PBB FULL DIGIT

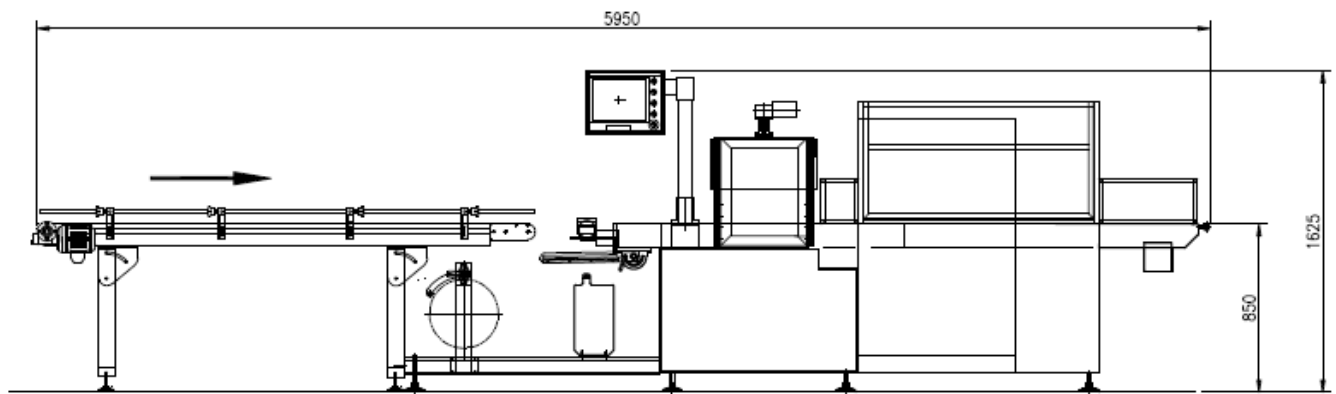


				700	900	1000
Larghezza film	Film width	Folienrollenbreite	Largeur de bobine	700mm	900mm	1000mm
Larghezza Taglia cuci	Sealing unit width	Siegelbackenbreite	Largeur machoires	350mm	400mm	500mm
Altezza max prod.	Max product height	Producthöhe max	Hauteur produit	200mm *		
Lunghezza max prod.	Max product length	Productlänge max	longueur max Produit	∞ mm *		
Larghezza max prod.	Max product width	Productbreite max	Largeur max produit	300mm*	350mm*	450mm *
Voltaggio	Power connection	Elektroanschluß	Tension	380V 50Hz 3ph +N + E		
Potenza installata	Max Connected load	Anschlußwert	Puissance	7 - 9 KW		
Pressione aria	Air pressure	Pneumaticsanschluß	Pression de l'air	6 bar		

* these dimensions cannot be considered simultaneously . see drawing below.



$(W+H+25)*2 < 700$	$(W+H+25)*2 < 900$	$(W+H+25)*2 < 1000$
$W < 300$	$W < 350$	$W < 450$
$H < 200\text{mm}$	$L < \infty \text{ mm}$	



I dati contenuti non sono vincolanti e possono essere modificati senza preavviso. Data here contained are not binding and subjected to modifications with no prior notice

info@foodpack.it

www.foodpack.it

FOODPACK SRL
Via lago di Pusiano 28
36015 Schio (VI) – ITALY
Tel. +39 (0)445 069 000
Fax. +39 (0)445 069 001



FOOD

NON-FOOD

BIO MEDICAL

COSMETICS